



Fulbrook Lane, Sherbourne,  
Warwick, CV35 8AR, ENGLAND

Tel: 01926 624800  
Fax: 01926 624900

LYNX AVIONICS HELMETS

# VISOR LATCH (TYPE 1)

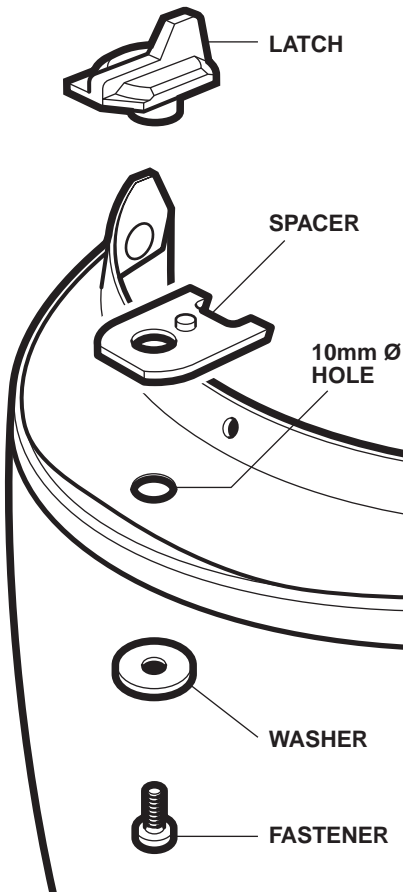
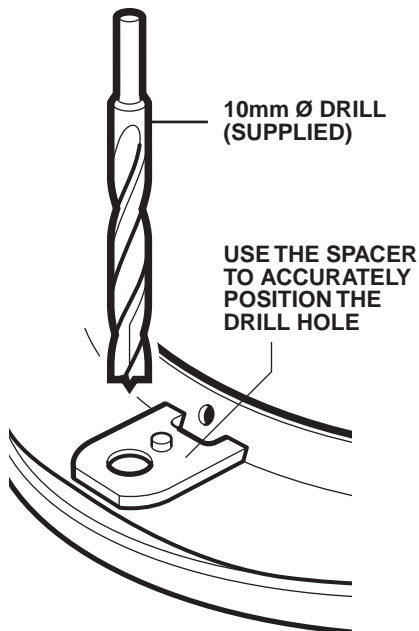
REF: E031-2 21-10-02

## INSTALLATION INSTRUCTIONS

### WARNING:

This visor latch is only suitable for use with visors (Type 1) and helmets that have been supplied by Lynx Avionics.

The latch and the fastener are designed to be fitted once only and may become loose if re-used.



**IMPORTANT**

READ THIS INFORMATION CAREFULLY BEFORE ATTEMPTING TO USE THIS ITEM OF EQUIPMENT